



Juzhi Mould



Juzhi Mould

**台州市黄岩聚智模塑有限公司**

Taizhou Huangyan Juzhi Mould & Plastic Co., Ltd

地址: 浙江台州黄岩北城北院大道16—18号  
电话: 0576-84290836 84125152  
手机: 13606665087 13957600801  
传真: 0576-84112983 84125182  
邮箱: feilongmj@163.com export@sonhon.cn

Add: No. 16-18, Beiyuan avenue, Beicheng industrial zone,  
Huangyan 318020, Taizhou, Zhejiang, China.  
Tel: 86 576 84125152 84290836  
Mobile/Whatsapp: 86-13957600801 13606665087  
Fax: 86-576-84125182 84112983  
Email: export@sonhon.cn feilongmj@163.com  
www.sonhon.cn www.juzhimold.com

**juzhi  
mould**

Pay attention to product quality  
and strengthen enterprise management

重视产品质量，加强企业管理

**台州市黄岩聚智模塑有限公司**

Taizhou Huangyan Juzhi Mould & Plastic Co., Ltd



Juzhi Mould

Pay attention to product quality  
and strengthen enterprise management

重视产品质量，加强企业管理



## Company Profile

### 公司简介

Pay attention to product quality  
and strengthen enterprise management

Taizhou Huangyan Juzhi Mould Plastic Co.,Ltd. Established in 2006, are located in Huangyan Taizhou city, Plastic mould town in China. We a professional manufacturer in injection mould, main mould die for: air-conditioners, refrigerators, washing machine and other white appliances, motorcycle plastic parts, Fittings, Daily used plastic commodity, ect. A series of advanced mould processing machine ( more than 30sets ), a complete set of CAD/CAE/CAM software systems,And a work team of rich experience and professional knowledge, the perfect integration constitutes our core competitiveness.

With the continuous efforts, Juzhi has been extensively recognized by famous companies both at home and abroad, such as Vietnam SANAKY, Xingxing, Meiling, Wanbao, etc. Moulds exported to Usa, Mexico, Italy, Germany, Turkey, Egypt, Vietnam, India, Bangladesh, ect. Welcome your first contact and enquiry, you will receive our every satisfaction.

台州市黄岩聚智模塑有限公司，始建于2006年，是一家专业制造空调、冰箱、洗衣机等白色家电，摩托车件，塑料日用品等产品的注塑模具企业，员工50余人。聚智拥有一系列先进的模具加工设备30余台/套，一整套完善CAD/CAE/CAM软件系统，同时拥有一支专业理论知识、经验丰富的技术骨干队伍，构成了聚智模具的核心竞争力。

经过多年不懈的努力，我们得到了包括越南SANAKY，广州万宝，美菱，星星集团等国内外知名企业的广泛赞誉。产品出口美国，墨西哥，意大利，德国，土耳其，埃及，越南，印度，孟加拉国.....

秉承“追求卓越，竭力创新、齐心协力、缔造辉煌”的企业精神，聚智希望与各界朋友携手共进！



## 办公环境 Office Environment

Good products come from good design. We have a group of experienced design teams. With the help of advanced technology and software to create high-quality products for customers. Juzhi Mold provides all-round technical service to customers with its strong technical development force. Using CAD/CAM/CAM to design processing mode, Use Kubotek KeyCreator, UG, ProE, Catia, Parasolids, SolidWorks And other software to optimize product design, shorten the product development cycle.



## 样品间 Sample Room

好的产品源于好的设计，我们有一批具有丰富经验的设计团队，借助于先进的技术软件为客户创造出优质的产品。聚智模具凭借雄厚的技术开发力量，为客户提供全方位的技术服务，运用CAD/CAM/CAM设计加工模式，使用Kubotek KeyCreator, UG, ProE, Catia, Parasolids, SolidWorks等软件进行产品优化设计，缩短产品的开发周期。



## 精密加工 Precision Machined

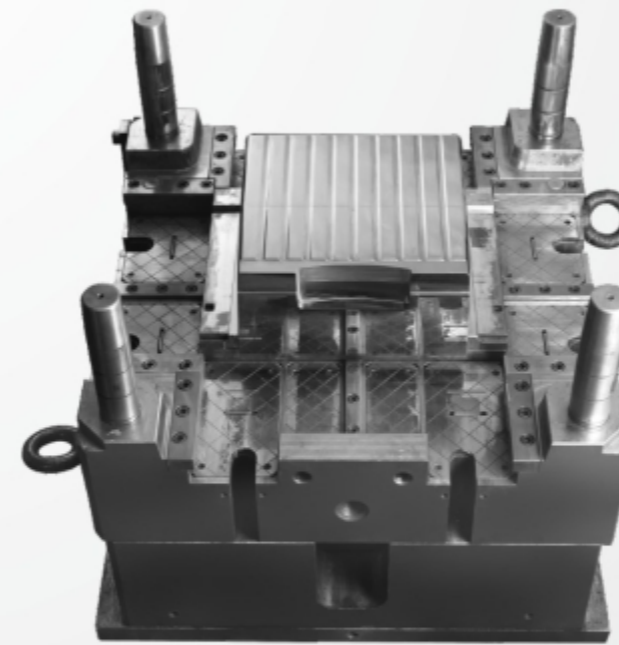
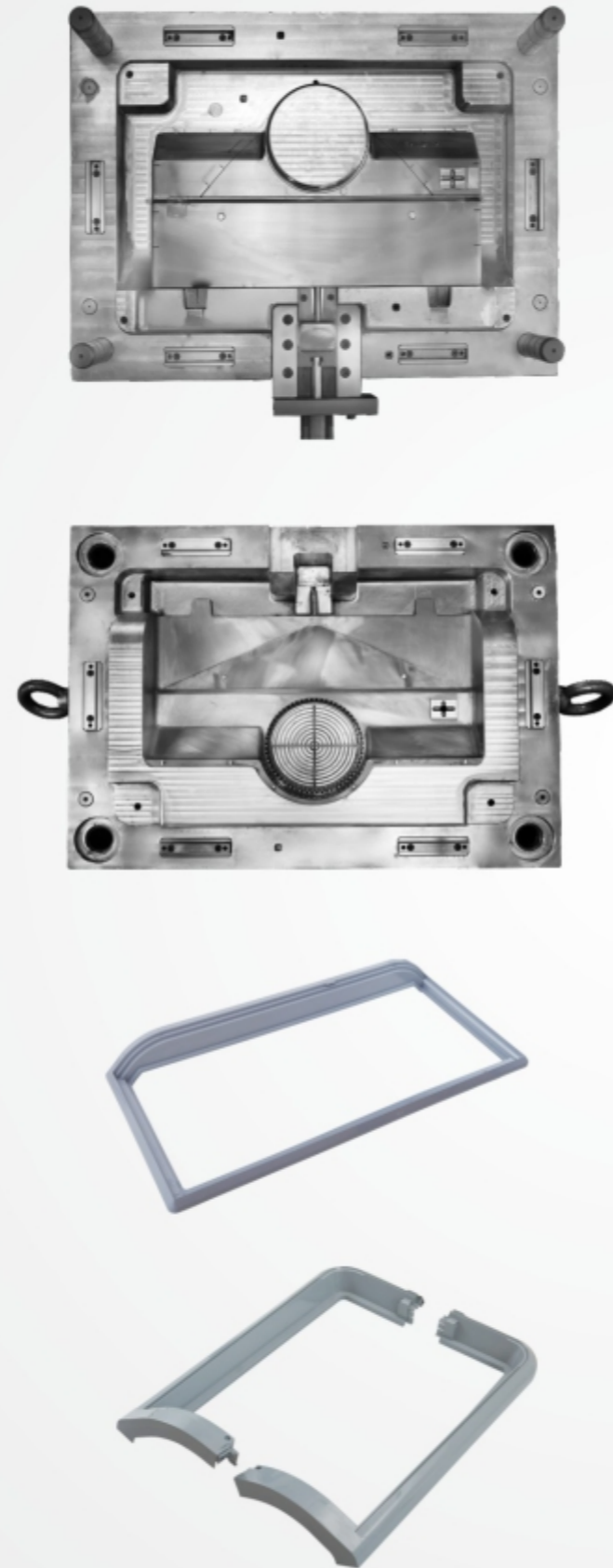
With advanced equipment, scientific process and experienced staff, We can guarantee to provide customers with high quality moulds and products. Experienced technicians, advanced machine tools, complex motor processing process. We are confident that we have the ability to meet or even exceed the quality requirements of our customers. Advanced equipment enables us to do every detail well. We are committed to the development of higher precision, better rigidity, More durable and technological products.



## 精密加工 Precision Machined

凭借先进的设备，科学的工艺流程以及经验丰富的员工，我们能够保证为客户提供高品质的模具及产品。经验丰富的技师、先进的机床、复杂的电机加工流程，我们自信有能力满足甚至超越客户在质量上的要求，先进的设备使我们有能力做好每个细节，我们致力于开发精度更高，刚性更好，更耐用和科技含量更高的产品。

家电模具系列  
Home  
Appliance  
Mould  
Series



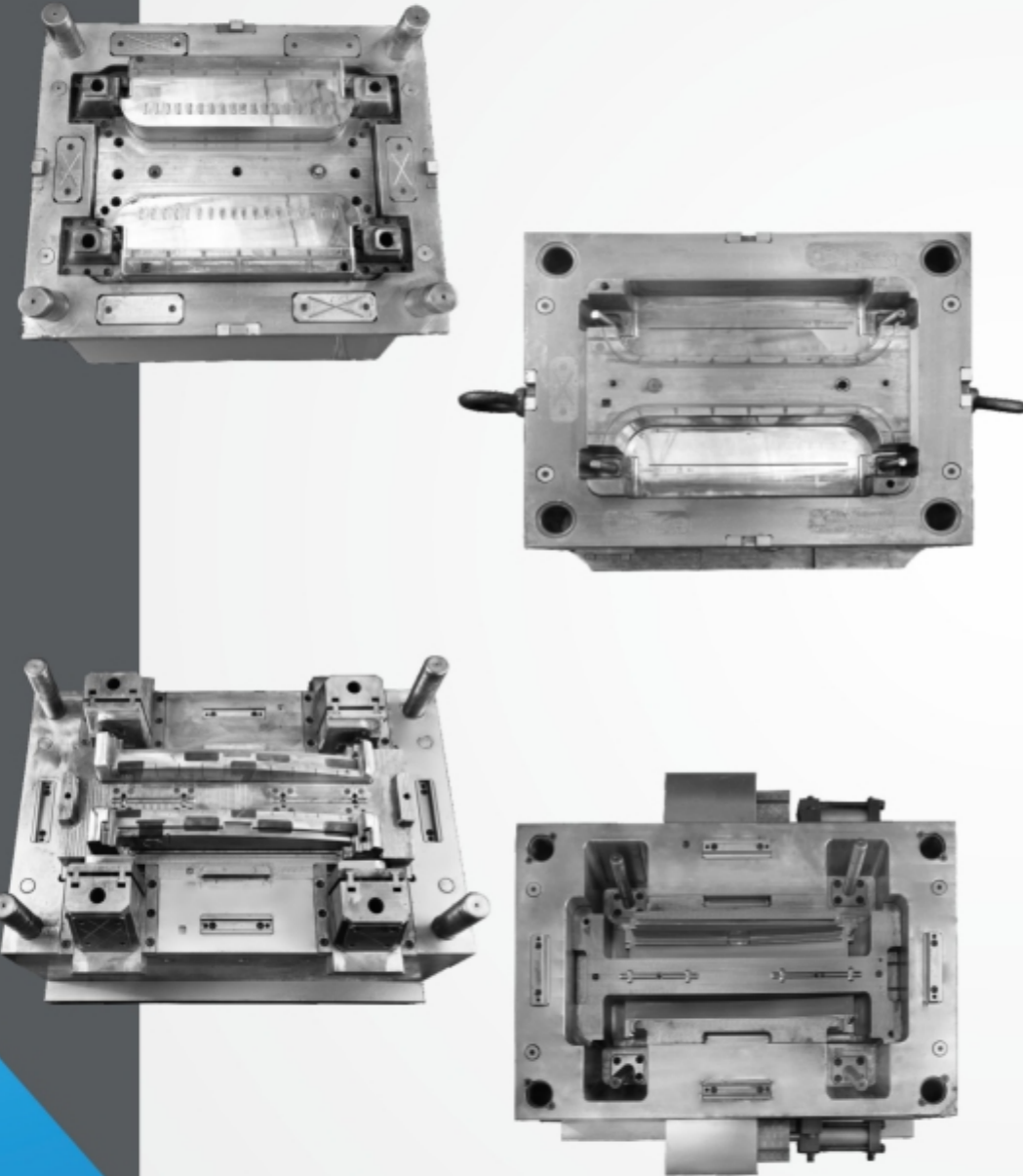
家电模具系列  
Home  
Appliance  
Mould  
Series

Juzhi Mould offer good quality moulds at competitive price for home appliance Mould, we are the mould supplier of SANAKY Vietnam Co.

Pay attention to product quality and strengthen enterprise management  
重视产品质量，加强企业管理

PAGE 01

# 家电模具系列 Home Appliance Mould Series

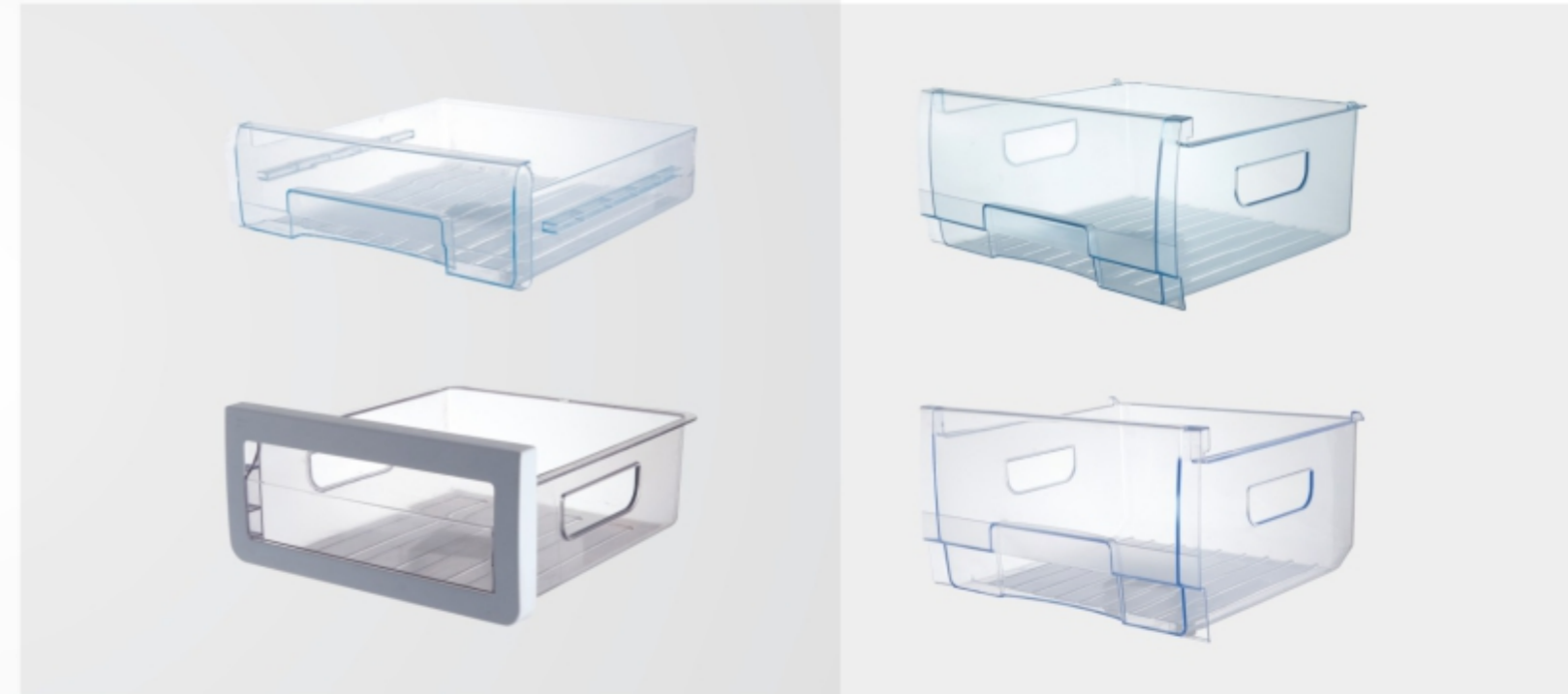


Pay attention to product quality  
and strengthen enterprise management  
重视产品质量，加强企业管理

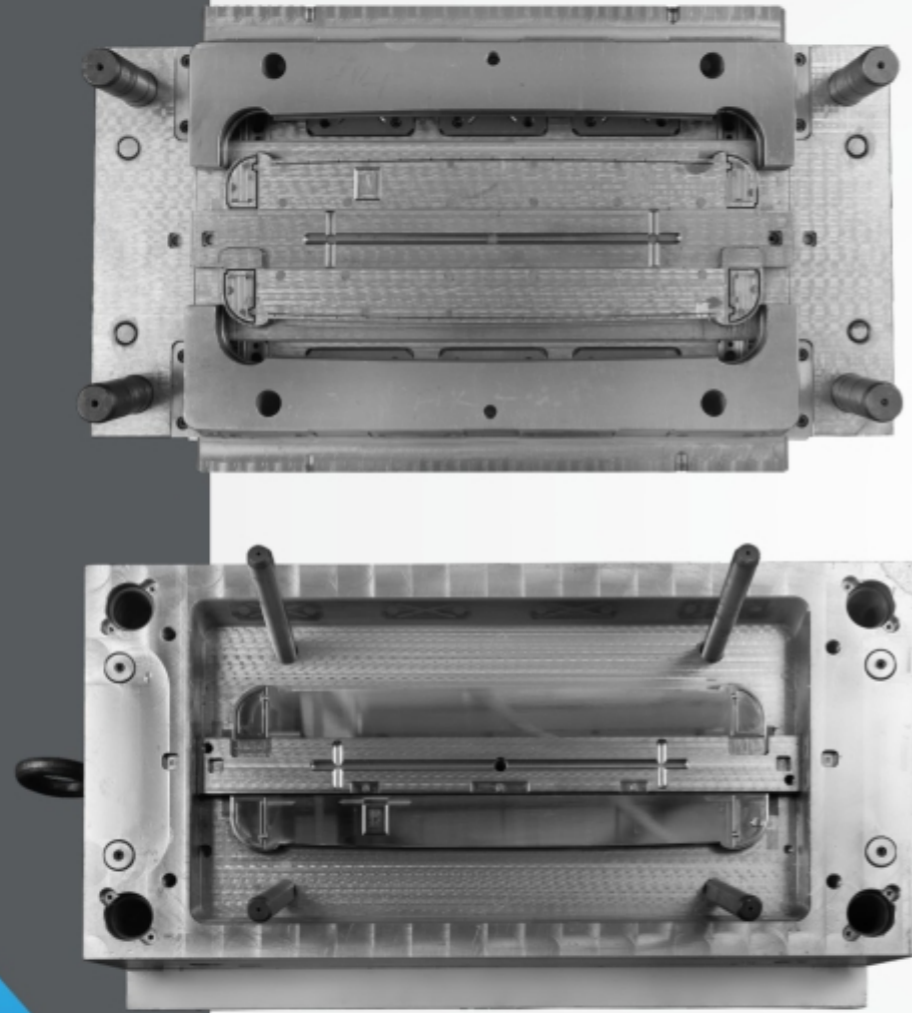
## PAGE 03

# 家电模具系列 Home Appliance Mould Series

Juzhi Mould offer good quality moulds  
at competitive price for home appliance Mould, we  
are the mould supplier of SANAKY Vietnam Co.



家电模具系列  
Home  
Appliance  
Mould  
Series



Pay attention to product quality  
and strengthen enterprise management  
重视产品质量，加强企业管理

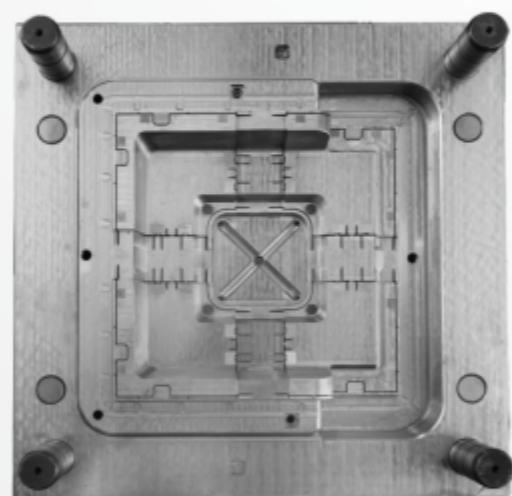
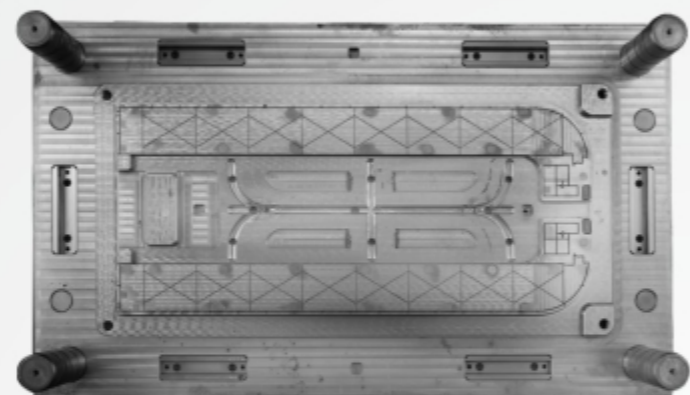
PAGE 05



家电模具系列  
Home  
Appliance  
Mould  
Series

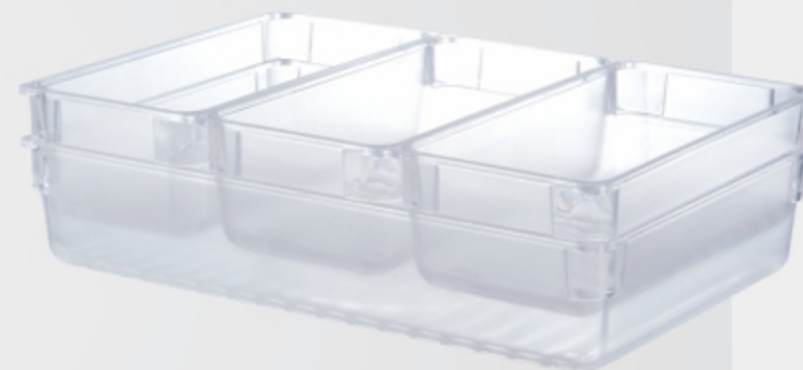
Juzhi Mould offer good quality moulds  
at competitive price for home  
appliance Mould, we are the mould  
supplier of SANAKY Vietnam Co.

日用品模具系列  
Daily  
Commodity  
Mould  
Series



日用品模具系列  
Daily Commodity Mould Series

Juzhi Mould worked with customers Ikea, Cosco, Target, Walmart, Tesco, Carrefour... household basket, refrigerator storage containers, Kitchenware plastic, Plastic Crate... We offer good quality moulds to their manufacturers in China.

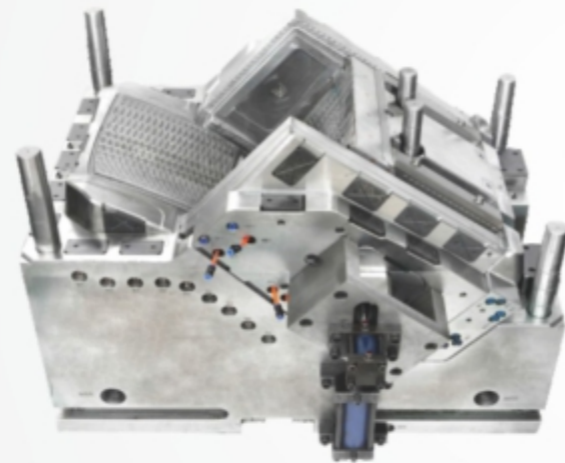


Pay attention to product quality  
and strengthen enterprise management  
重视产品质量，加强企业管理

PAGE 07



椅子模具系列  
Furniture  
Mould  
Series



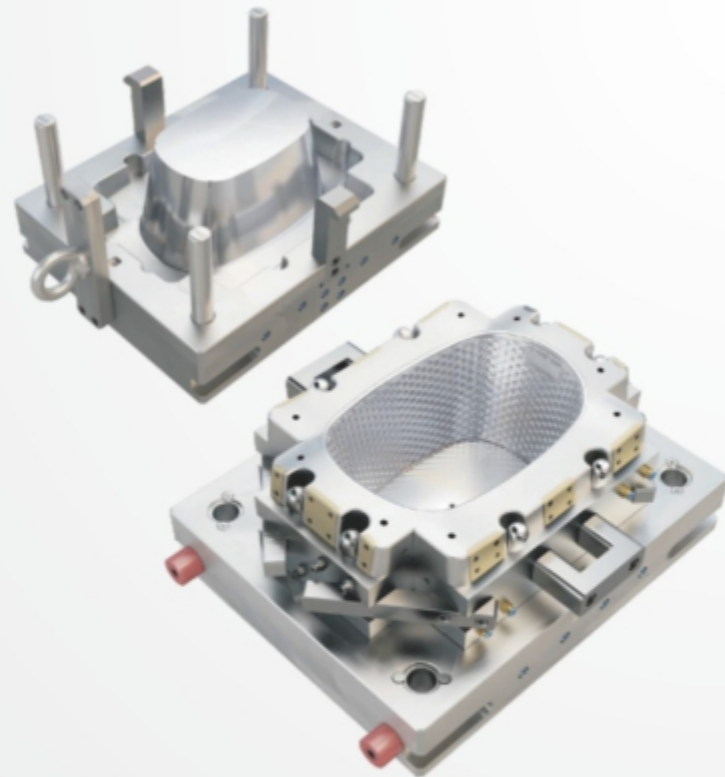
椅子模具系列  
Furniture  
Mould  
Series

Juzhi Mould offer good quality at competitive price for chair Mould / Stool Mould, Interchangeable insert block different versions of chair backrest and seat. This can easily change on the machine, Quality guaranteed

Pay attention to product quality and strengthen enterprise management  
重视产品质量，加强企业管理

PAGE 09

日用品模具系列  
Daily  
Commodity  
Mould  
Series



日用品模具系列  
Daily Commodity Mould Series

Baby tub, Laundry basket, Plastic shelf, kitchen rack, plastic storage container, Flower pot, We offer good quality mould with prompt delivery time. Finished Products mainly exported to Usa, Moulds mainly exported to India, Vietnam, Turkey...



Pay attention to product quality  
and strengthen enterprise management  
重视产品质量，加强企业管理

PAGE 11